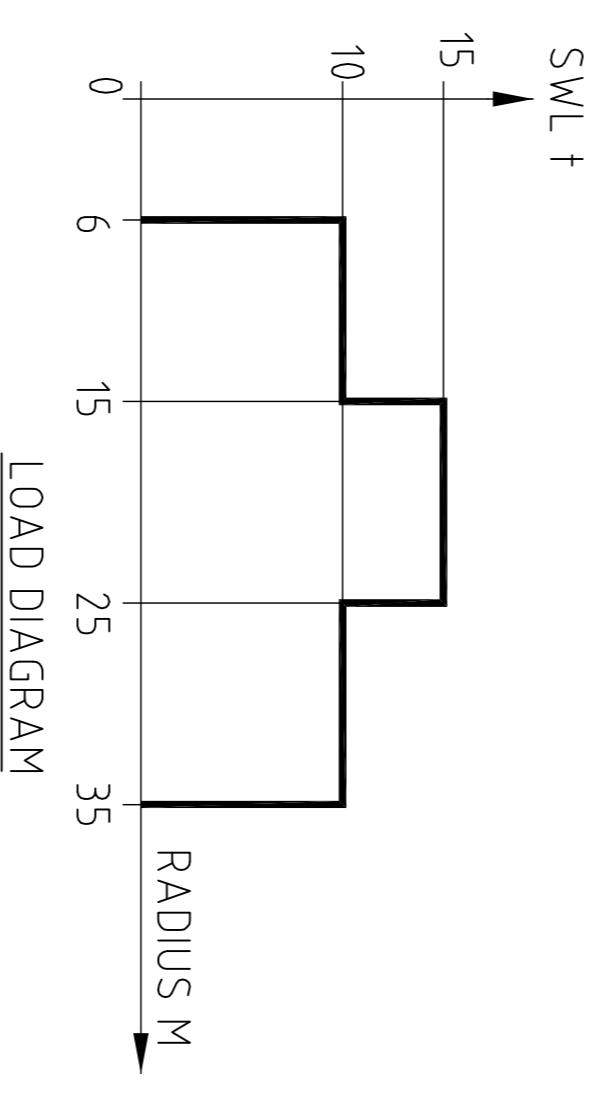
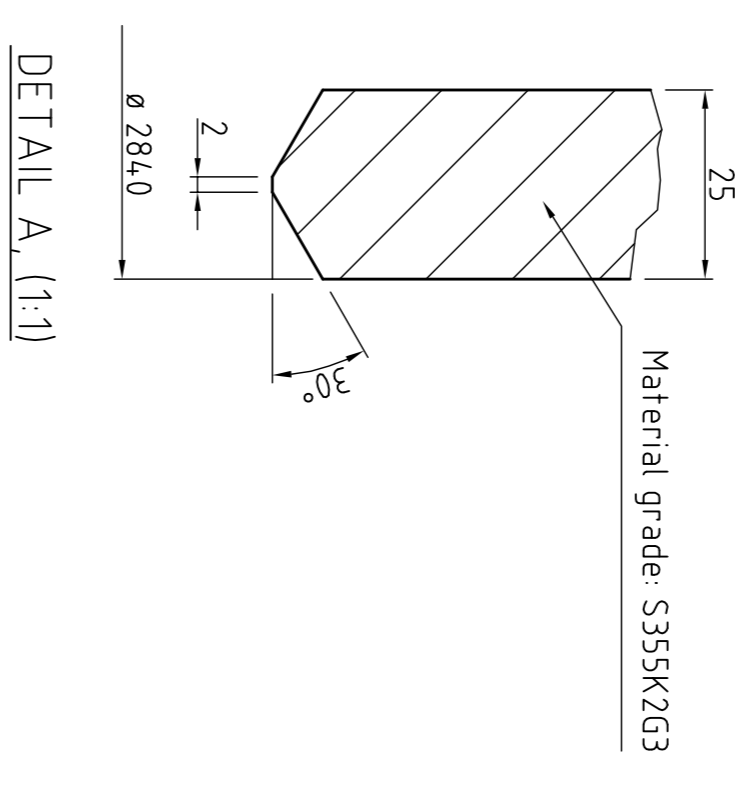


- GENERAL TOLERANCES**
1. CRANE FOUNDATION TO BE WELDED TO SUBSTRUCTURE PRIOR TO INSTALLING CRANE WITH SLEW BEARING.
 2. SLEW BEARING SUPPORT FLANGE HAS TO BE MEASURED FOR FLATNESS AFTER ALL WELDING HAS BEEN COMPLETED AND STRUCTURE RETURNED TO NORMAL TEMPERATURE.
 3. FOR OPTIMAL SLEW BEARING LIFE THE FLATNESS HAS TO BE KEPT WITHIN GIVEN TOLERANCES.



DRY WEIGHT : ~ 60 METRIC TONNES	LEGEND
WET WEIGHT : ~ 62 METRIC TONNES	DATUM POINT
CO.G PARKING POSITION	C.O.G
X = 0.1 m	
Y = -5.8 m	
Z = 1.6 m	

- NOTES**
1. REF. DOCUMENT G1431-N-RD-001 FOR REACTION FORCES
 2. REF. DRAWINGS G1431-C2806P-E0001, -E0002 AND -E0003 FOR ELECTRICAL INTERFACE

Total weight = 62900 kg.

CERTIFIED INTERFACE DRAWING.

PROJECT NO
MACHINE NO.: G1431-4912

0	29.03.2012	Issued for Approval	DOH	NHG	ROBGG
1					

THIS DOCUMENT IS THE PROPERTY OF NATIONAL OILWELL VARCO. IT IS TO BE USED ONLY FOR THE PROJECT AND LOCATION SPECIFICALLY IDENTIFIED IN THE TITLE BLOCK. IT IS NOT TO BE REPRODUCED, COPIED, OR TRANSMITTED IN ANY FORM OR BY ANY MEANS, ELECTRONIC OR MECHANICAL, INCLUDING PHOTOCOPYING, RECORDING, OR BY ANY INFORMATION STORAGE AND RETRIEVAL SYSTEM, WITHOUT THE WRITTEN PERMISSION OF NATIONAL OILWELL VARCO. THE USER AGREES TO HOLD NATIONAL OILWELL VARCO HARMLESS FROM AND AGAINST ALL CLAIMS, DAMAGES, LOSSES AND EXPENSES, INCLUDING REASONABLE ATTORNEY'S FEES, ARISING OUT OF OR RESULTING FROM THE USE OF THIS DOCUMENT. NATIONAL OILWELL VARCO ACCEPTS NO LIABILITY FOR THE ACCURACY OF THE INFORMATION CONTAINED HEREIN. NATIONAL OILWELL VARCO IS NOT RESPONSIBLE FOR THE CONSEQUENCES OF THE USE OF THIS DOCUMENT. NATIONAL OILWELL VARCO IS NOT RESPONSIBLE FOR THE CONSEQUENCES OF THE USE OF THIS DOCUMENT.

NATIONAL OILWELL VARCO
SERVIZIO 401 KORSUNGFJORDEN

TITLE
GENERAL ARRANGEMENT DRAWING

KNUCKLE BOOM CRANE.

Scale 1:75 Projection A1 Size A1 Main Part Sheet 1/1 Revision 0

MOSS/CRANE/01 1 2 3 4 5 6 7 8 9 10 11 12